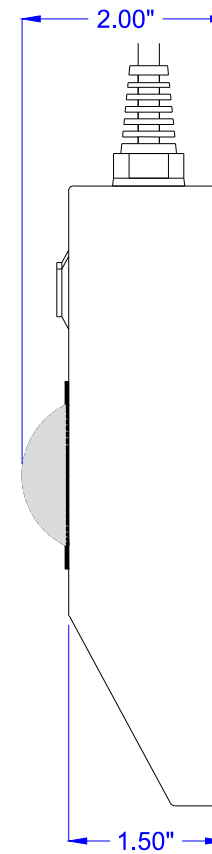
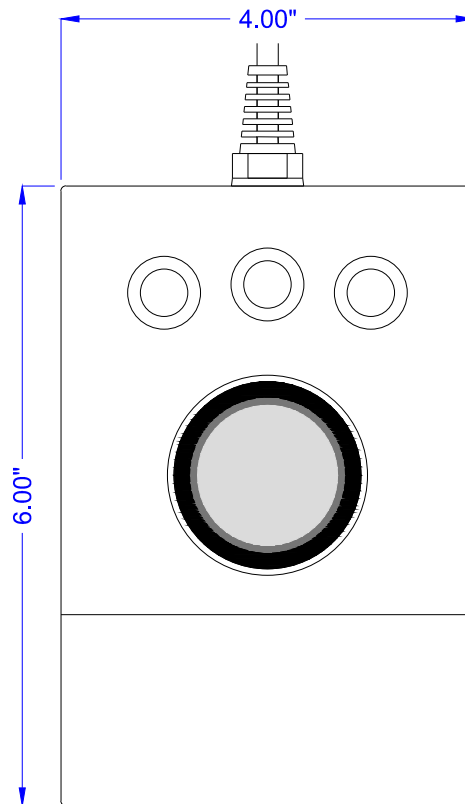


TB-DT



KEY SWITCH

MATERIAL: Brushed Stainless Steel
LIFE: Greater Than 1 Million Cycles
TRAVEL: 0.051 in.
ACTUATION FORCE: 14.00 oz. +/- 1.06oz (397g +/- 30g)
FEEDBACK: Tactile with Mechanical Snap

TEMPERATURE RANGE

STORAGE: -40°F to +185°F (-40°C to +85°C)
OPERATING: 32°F to +131°F (0°C to +55°C)

VIBRATION

POWER SPECTRAL DENSITY: .04g/HZ
FREQUENCY RANGE: 20Hz-2KHz
DURATION OF TEST PER AXIS: 3 hours

POWER

PS2: 45mA@5V (from Mouse port)
USB: 45mA@5V (from CPU port)

HUMIDITY

100% Humidity Resistant

SHOCK

3 X 11 ms pulses of 50g on each of 3 axis

WEIGHT

1.50 lbs +/- 0.10 lbs (0.68 kg +/- 0.05 kg)